

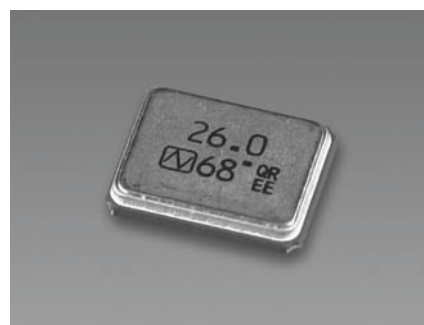
NX3225SA

For Mobile Communications

■ Features

A small surface-mount type crystal unit, especially suited for small-sizing requirements.

- Ultra compact and thin. (3.2 × 2.5 × 0.55mm typ.)
- Excellent environmental characteristics, including heat and shock resistance.
- Excellent electrical performance for mobile communication applications.
- Lead-free. Meets the requirements for re-flow profiling using lead-free solder.



Pb Free

RoHS Compliant
Directive 2002/95/EC

■ Specifications

| Item | Model | NX3225SA |
|---|-------|------------------------|
| Frequency Range | | 16 to 54MHz |
| Overtone Order | | Fundamental |
| Frequency Tolerance (25 ±3°C) | | ±10 × 10 ⁻⁶ |
| Temperature Characteristics (with reference to +25°C) | | ±10 × 10 ⁻⁶ |
| Operating Temperature Range | | -20 to +75°C |
| Equivalent Series Resistance | | Refer to *1 |
| Drive Level | | 10μW(Max:100μW) |
| Load Capacitance | | 10pF |

The above specifications are standard for this NDK product.

Custom-made specifications such as load capacitance and temperature characteristics are also available.

Please contact NDK sales with your enquiries.

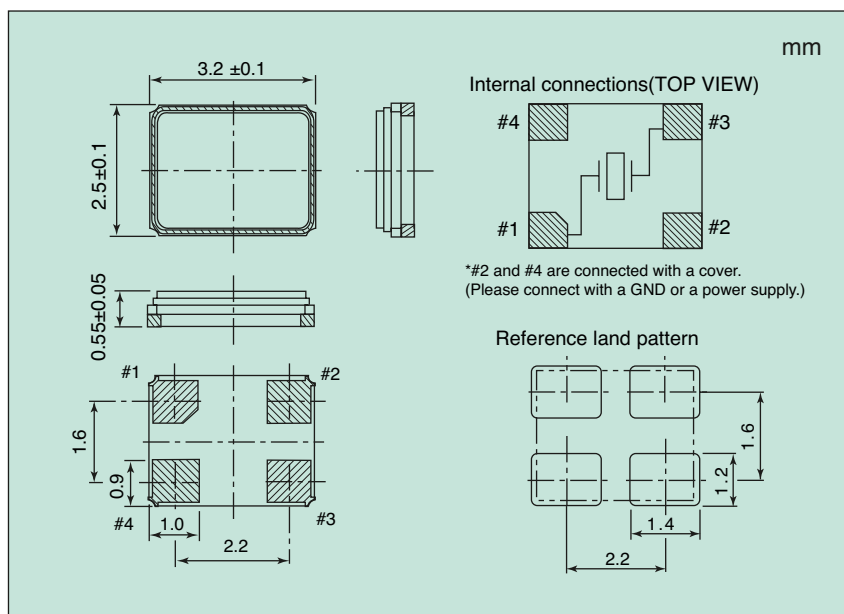
■ How to Specify an Order

When ordering our products, specify them with an "Ordering Code" that consists of the following :

- M - Example NX3225SA-19.200M-STD-CSQ-1

If you have any queries concerning our standard frequencies and numbers for specifying orders, please contact our sales representatives or visit our homepage (<http://www.ndk.com/>).

■ Dimensions



*1 Equivalent Series Resistance

| Frequency (MHz) (Range) | Equivalent Series Resistance max.[Ω] |
|-------------------------|--------------------------------------|
| 16 to 20 | 80 |
| 20 to 54 | 50 |