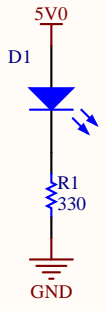
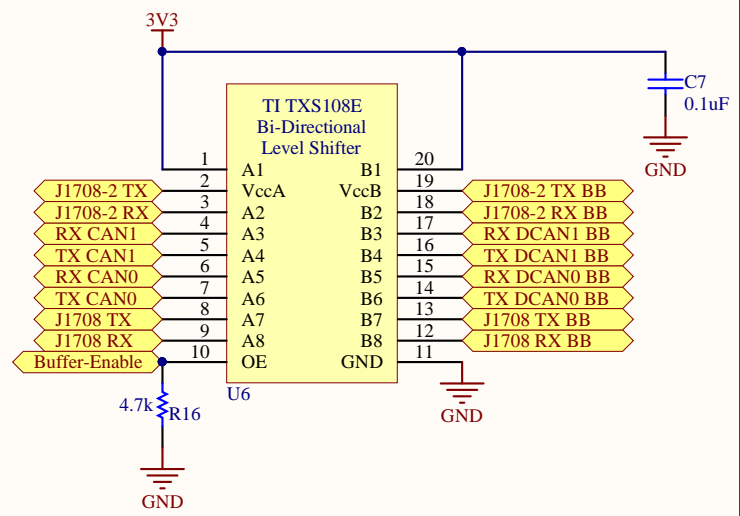
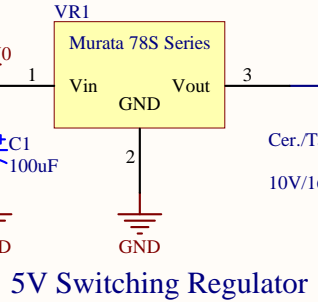
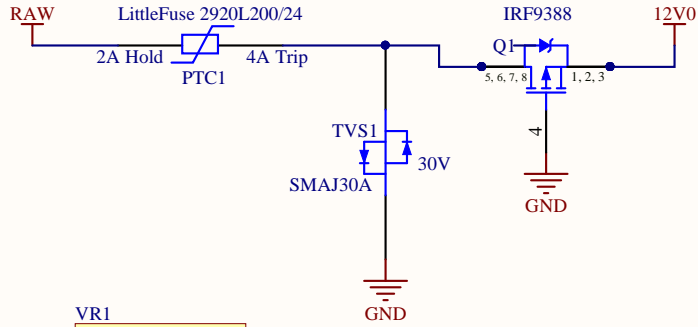


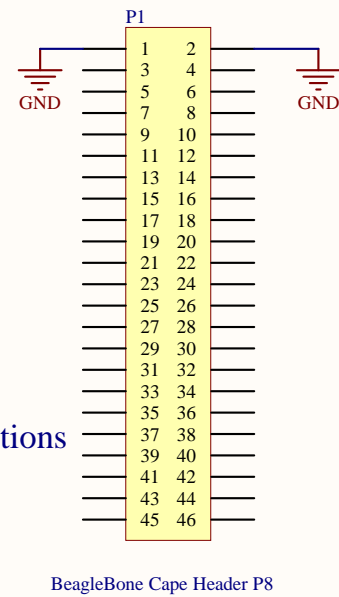
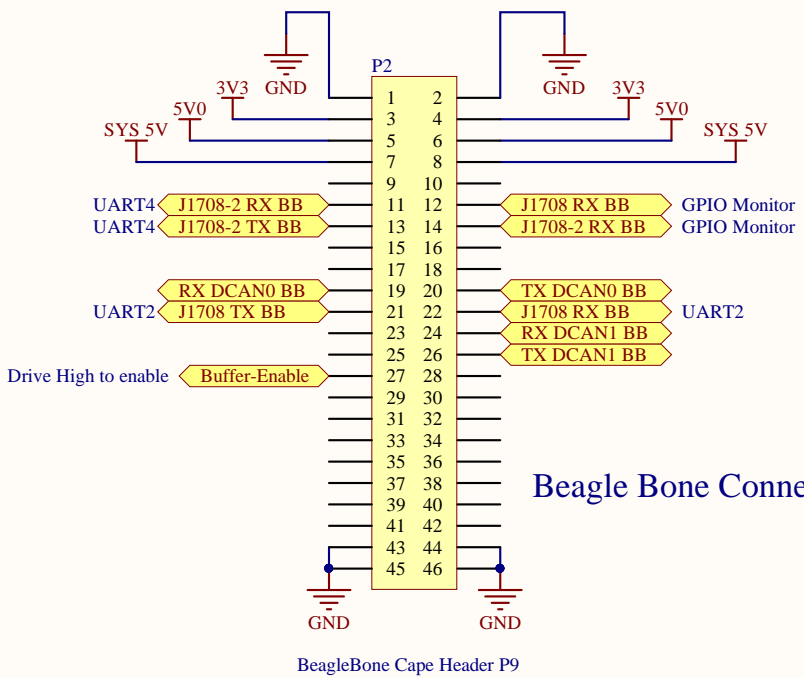
Power LED



Power Protection



Check for the latest version and updates at:
truckhacking.github.io



Title:	Truck Duck	
Version:	Revision 3	
Six_Volts		Sheet 1 of 2
Date Last Modified:	7/7/2016	

A

A

B

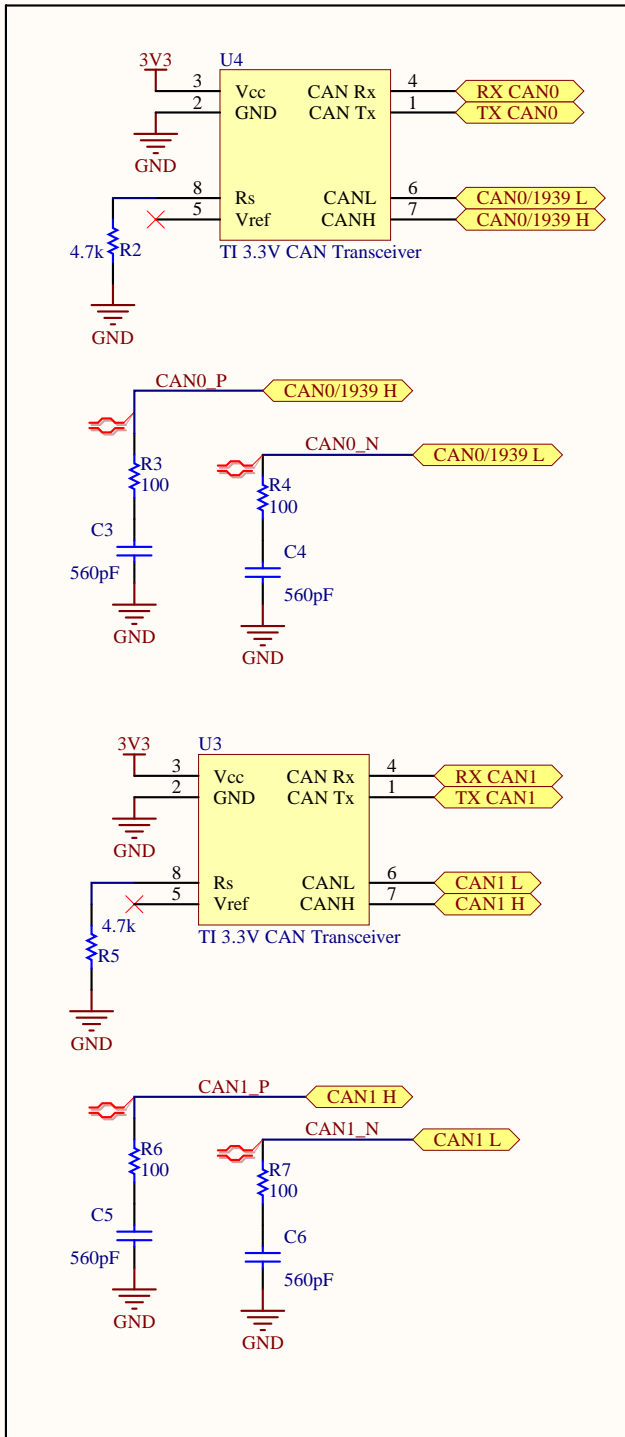
B

C

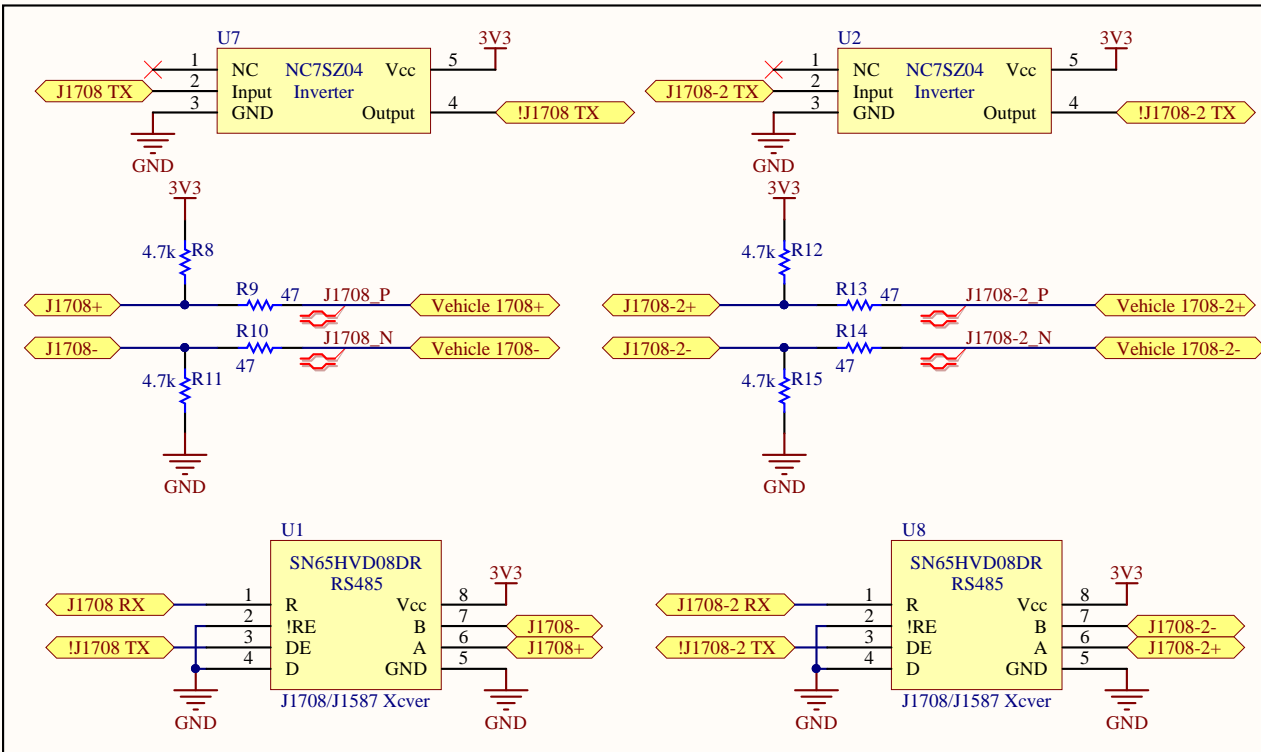
C

D

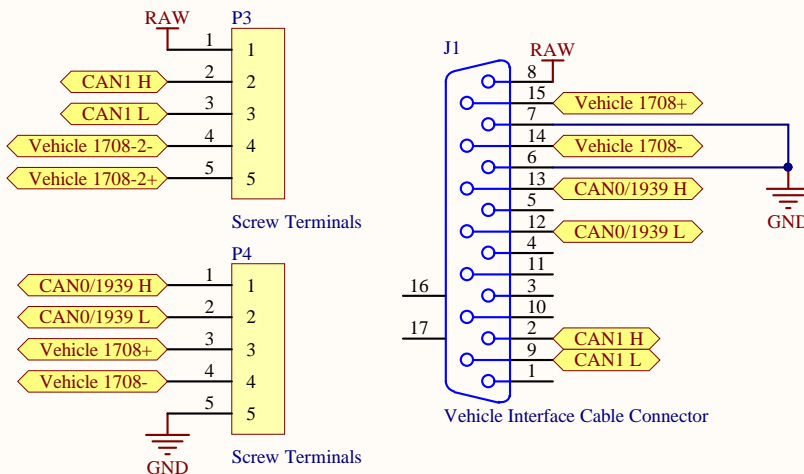
D



J1939/CAN



J1708/J1587



Connectors

Check for the latest version and updates at: truckhacking.github.io

Title:	Truck Duck		
Version:	Revision 3		
Six_Volts		Sheet 2 of 2	
Date Last Modified:	7/7/2016		