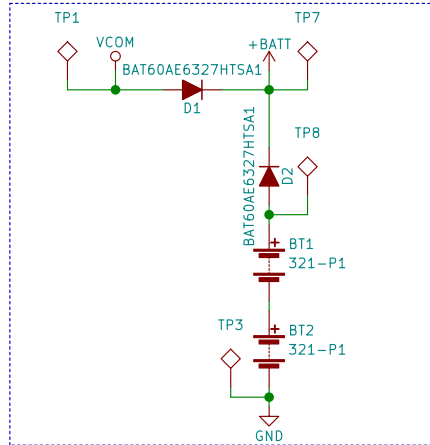
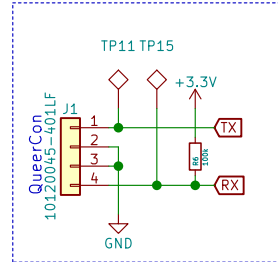


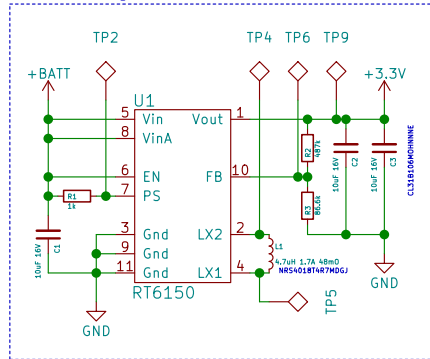
### Battery related



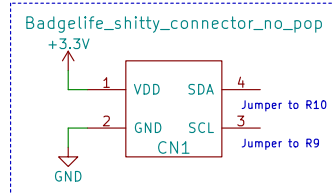
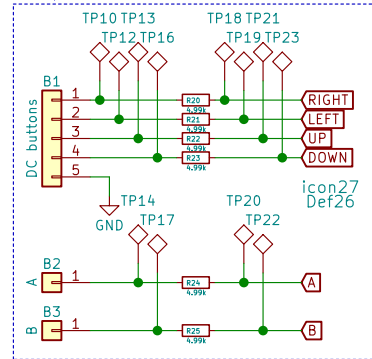
### Badge Bus



### 3.3V regulator 800mA

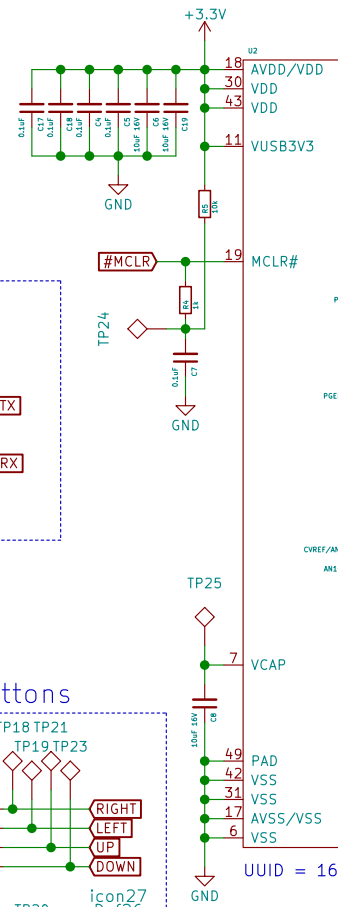


### Cap sense buttons

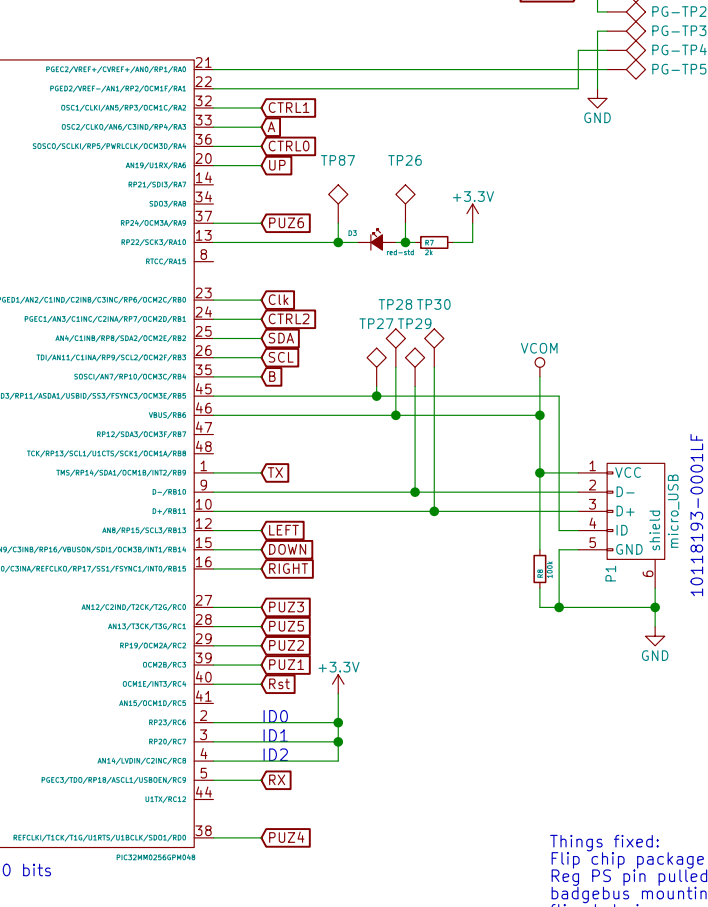


page 2

tymkrs\_DC26\_2018\_cfp\_pg2.sch



UID = 160 bits



- Things fixed:
- Flip chip package to SOT363
- Reg PS pin pulled up
- badgebus mounting pin hole size
- flipped drain source on Q1
- added 4.99k to touch pads
- LED current set resistors to 24.9k drv 681 led
- moved badgebus connector to the side
- New battery holders
- swap programming connector header to SMT
- Fiducials and 40mil alignment holes added

icon2 Outline  
 icon5 Front art  
 icon18 Back art  
 icon19 Front text

icon1 icon17  
 Metroid Ninja

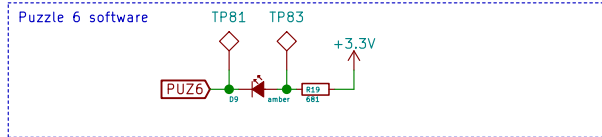
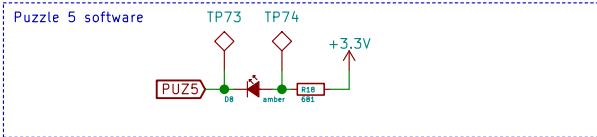
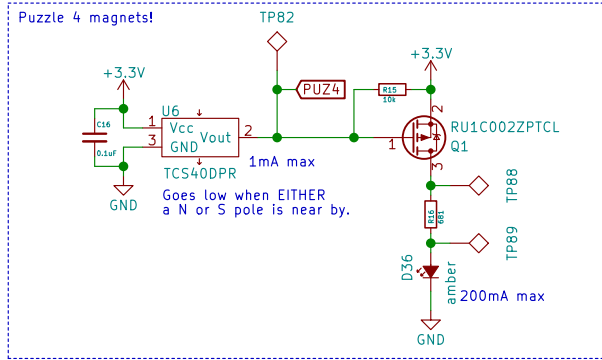
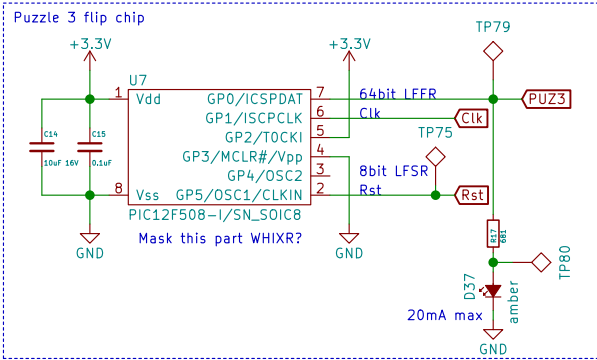
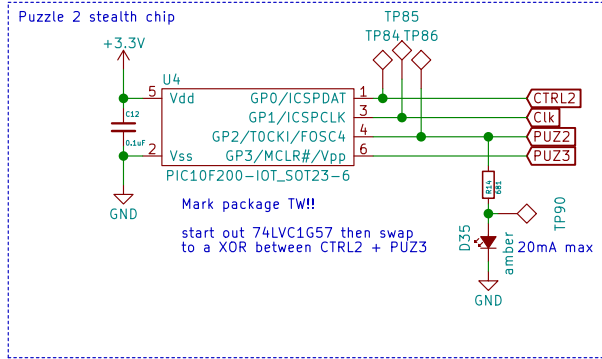
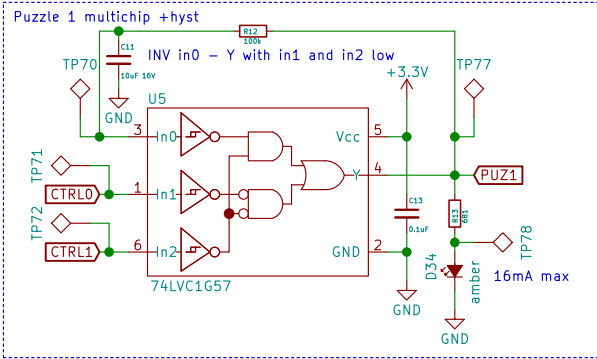
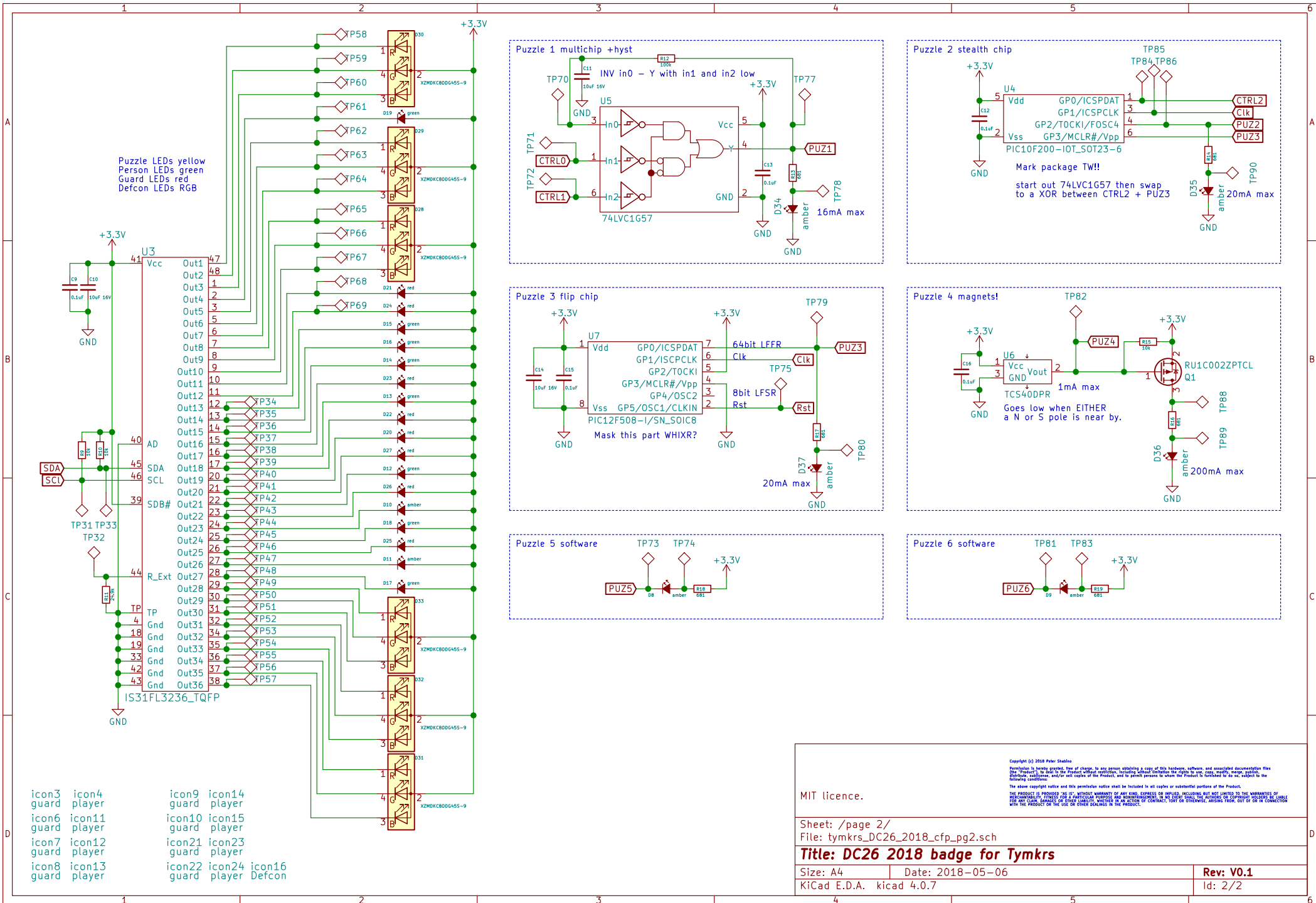
FID1 Fiducial  
 FID2 Fiducial

MIT licence.

Sheet: /  
 File: tymkrs\_DC26\_2018\_cfp.sch

<b>Title: DC26 2018 badge for Tymkrs</b>	
Size: A4	Date: 2018-05-06
KiCad E.D.A. kicad 4.0.7	Rev: V0.1
	Id: 1/2

Copyright (c) 2018 Peter Dabhoie  
 Reproduction by any person, in any form, without express or implied, including but not limited to the WARRANTIES OF MERCHANTABILITY, FITNESS FOR A PARTICULAR PURPOSE AND NONINFRINGEMENT, IN NO EVENT SHALL THE AUTHOR OR COPYRIGHT HOLDERS BE LIABLE FOR ANY CLAIM, DAMAGES OR OTHER LIABILITY, WHETHER IN AN ACTION OF CONTRACT, TORT OR OTHERWISE, ARISING FROM, OUT OF OR IN CONNECTION WITH THE PRODUCT OR THE USE OR OTHER DEALINGS IN THE PRODUCT.  
 The above copyright notice and this permission notice shall be included in all copies or substantial portions of the Product.



Copyright (c) 2018 Peter Skelton  
 Permission is hereby granted, free of charge, to any person obtaining a copy of this hardware, software, and associated documentation files (the "Product") to use the Product without restriction, including without limitation the rights to use, copy, modify, merge, publish, distribute, sublicense, and/or sell copies of the Product, and to permit persons to whom the Product is furnished to do so, subject to the following conditions:  
 The above copyright notice and this permission notice shall be included in all copies or substantial portions of the Product.  
 THE PRODUCT IS PROVIDED AS IS, WITHOUT WARRANTY OF ANY KIND, EXPRESS OR IMPLIED, INCLUDING BUT NOT LIMITED TO THE WARRANTIES OF MERCHANTABILITY, FITNESS FOR A PARTICULAR PURPOSE AND NONINFRINGEMENT. IN NO EVENT SHALL THE AUTHOR OR COPYRIGHT HOLDER BE LIABLE FOR ANY CLAIM, DAMAGES OR OTHER LIABILITY, WHETHER IN AN ACTION OF CONTRACT, TORT OR OTHERWISE, ARISING FROM, OUT OF OR IN CONNECTION WITH THE PRODUCT OR THE USE OF OTHER DEALINGS IN THE PRODUCT.

MIT licence.

Sheet: /page 2/  
 File: tymkrs\_DC26\_2018\_cfp\_pg2.sch

**Title: DC26 2018 badge for Tymkrs**

Size: A4	Date: 2018-05-06	Rev: V0.1
KiCad E.D.A. kicad 4.0.7		Id: 2/2