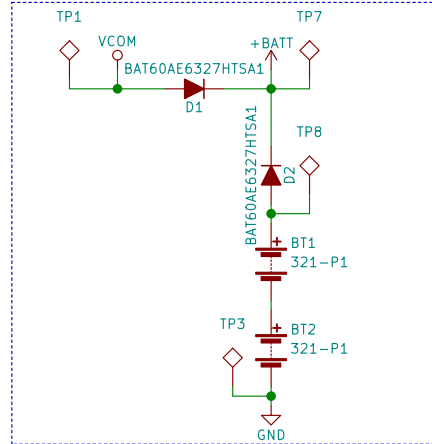
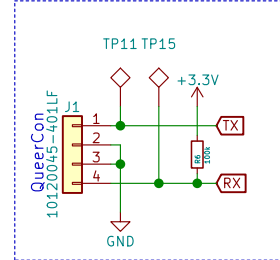


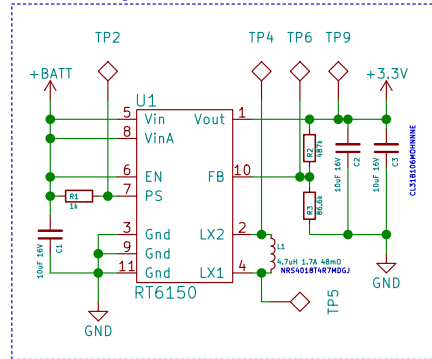
Battery related



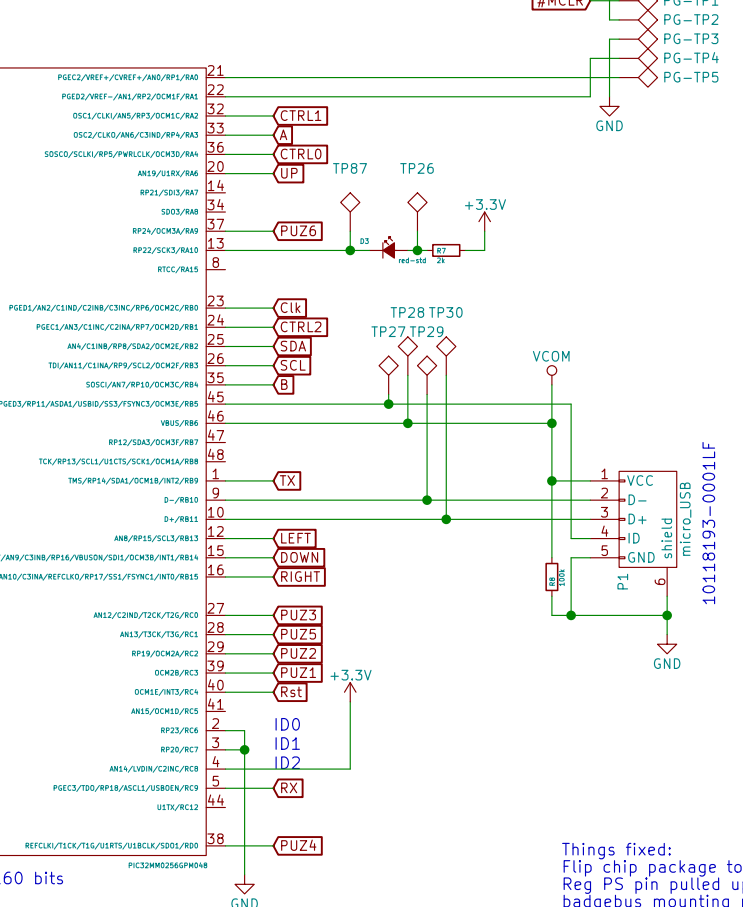
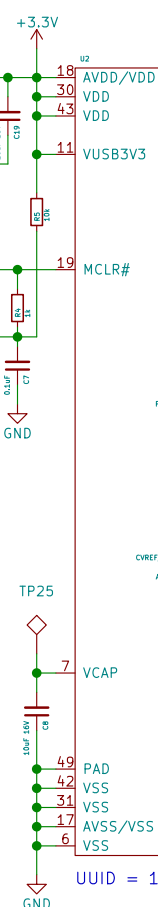
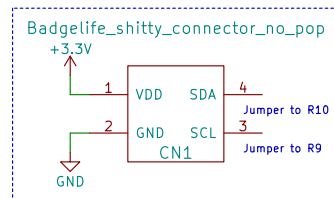
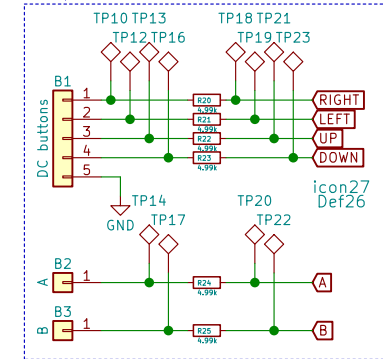
Badge Bus



3.3V regulator 800mA



Cap sense buttons



Things fixed:
 Flip chip package to SOT363
 Reg PS pin pulled up
 badgebus mounting pin hole size
 flipped drain source on Q1
 added 4.99k to touch pads
 LED current set resistors to 24.9k drv 681 led
 moved badgebus connector to the side
 New battery holders
 swap programming connector header to SMT
 Fiducials and 40mil alignment holes added

page 2
 tymkrs_DC26_2018_press_pg2.sch

icon2 Outline
 icon5 Front art
 icon18 Back art
 icon19 Front text

icon1 icon17
 Metroid Ninja

FID1 Fiducial
 FID2 Fiducial

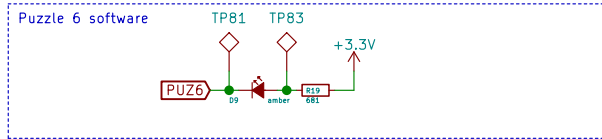
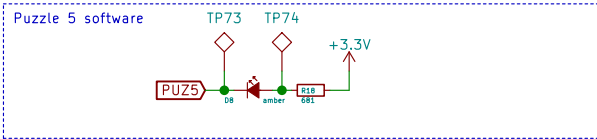
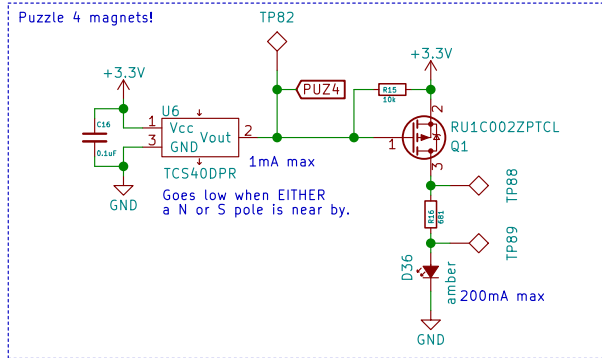
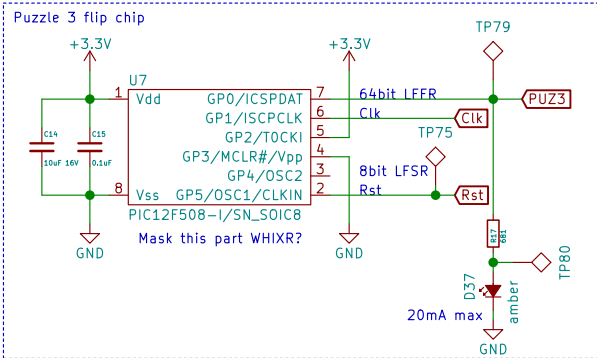
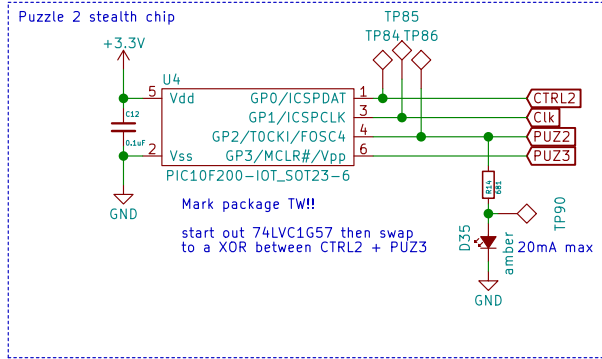
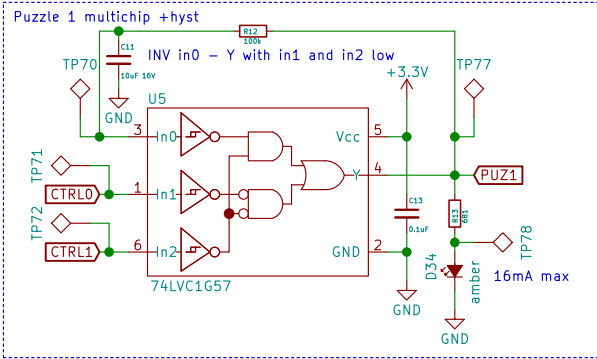
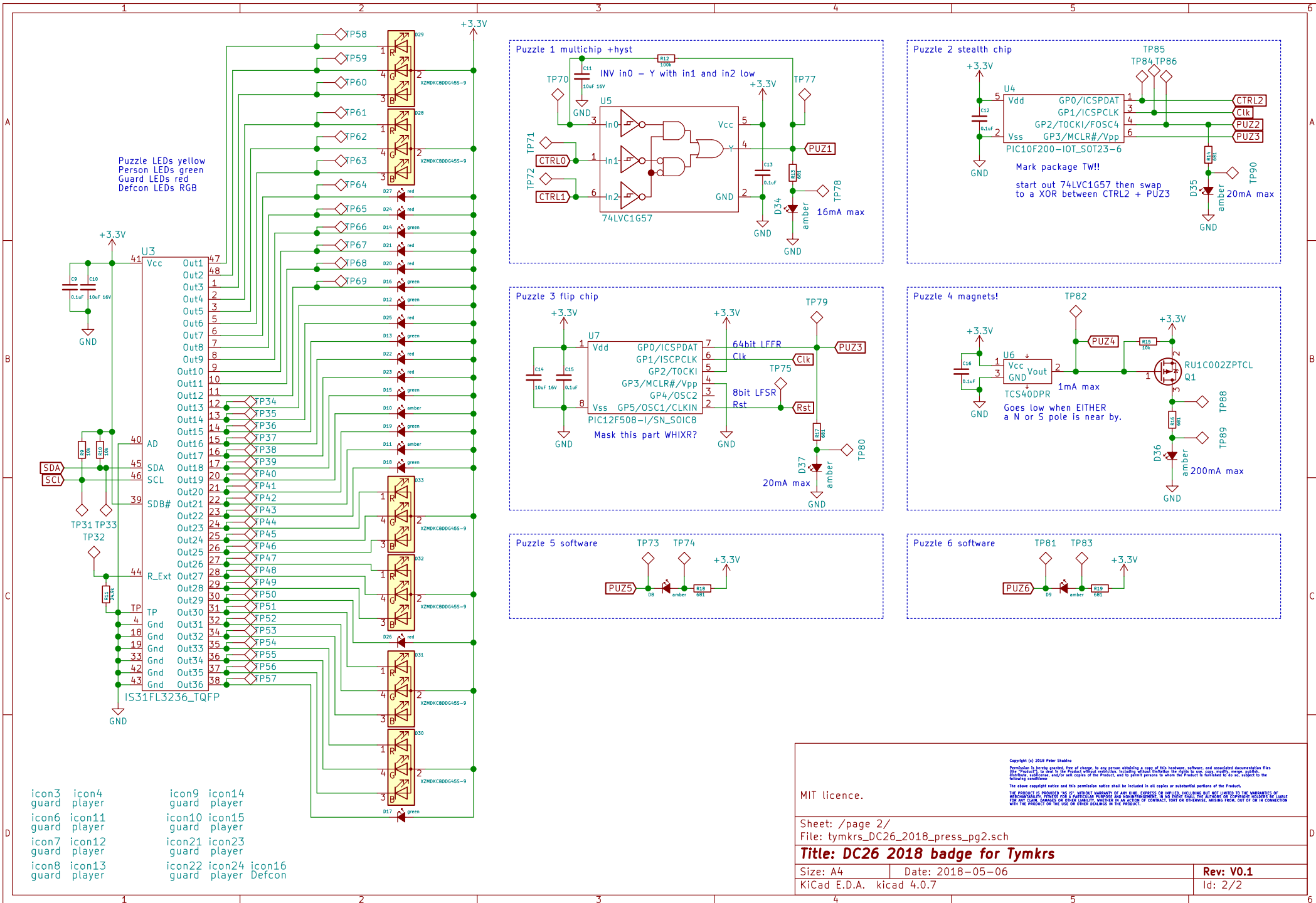
MIT licence.

Sheet: /
 File: tymkrs_DC26_2018_press.sch

Title: DC26 2018 badge for Tymkrs

Size: A4 Date: 2018-05-06
 KiCad E.D.A. kicad 4.0.7

Rev: V0.1
 Id: 1/2



Copyright (c) 2018 Peter Skelton
 Permission is hereby granted, free of charge, to any person obtaining a copy of this hardware, software, and associated documentation files (the "Product"), to use the Product without restriction, including without limitation the rights to use, copy, modify, merge, publish, distribute, sublicense, and/or sell copies of the Product, and to permit persons to whom the Product is furnished to do so, subject to the following conditions:
 The above copyright notice and this permission notice shall be included in all copies or substantial portions of the Product.
 THE PRODUCT IS PROVIDED AS IS, WITHOUT WARRANTY OF ANY KIND, EXPRESS OR IMPLIED, INCLUDING BUT NOT LIMITED TO THE WARRANTIES OF MERCHANTABILITY, FITNESS FOR A PARTICULAR PURPOSE AND NONINFRINGEMENT. IN NO EVENT SHALL THE AUTHOR OR COPYRIGHT HOLDER BE LIABLE FOR ANY CLAIM, DAMAGES OR OTHER LIABILITY, WHETHER IN AN ACTION OF CONTRACT, TORT OR OTHERWISE, ARISING FROM, OUT OF OR IN CONNECTION WITH THE PRODUCT OR THE USE OR OTHER DEALINGS IN THE PRODUCT.

MIT licence.

Sheet: /page 2/		Date: 2018-05-06	
File: tymkrs_DC26_2018_press_pg2.sch		Rev: V0.1	
Title: DC26 2018 badge for Tymkrs		Id: 2/2	
Size: A4	KiCad E.D.A. kicad 4.0.7		